

VoiceNet
Fire Phone Equipment

Description:

Fire Phone accessories give the FNV system two way communication capability.

Fire Phone jacks are mounted on a single gang plate.

Fixed telephone and warden stations are available in Surface/Semi-Flush mount cabinet with a Thumb Turn latch

Ordering Information:

<u>Model Number</u>	<u>Description</u>
FNV-FJ	Telephone Jack Brushed Stainless Steel Single Gang Plate
FNV-FH	Portable Handset Color - Red (6 mount in FNV-TC cabinet)
FNV-TC	Telephone Cabinet Holds 6 FNV-FH Portable Handset Cabinet: Charcoal Gray - std. -R Red (Surface/Semi-Flush Mount / Key Lock 27 x 14-1/2 x 4" h-w-d)
FNV-FS	Fire Phone Station Coil cord / Thumb Turn Latch Cabinet: Red (Surface/Semi-Flush Mount 12-3/4 x 7-1/4 x 3-3/4" h-w-d)
FNV-WS	Warden Station Armored cable / Thumb Turn Latch Cabinet: Red (Surface/Semi-Flush Mount 12-3/4 x 7-1/4 x 3-3/4" h-w-d)



FNV-FJ

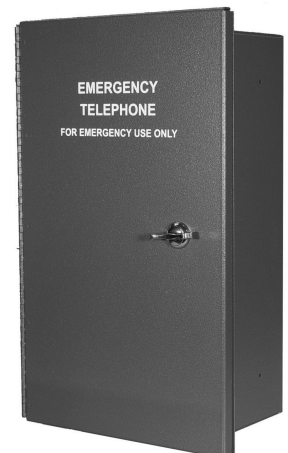


FNV-FH

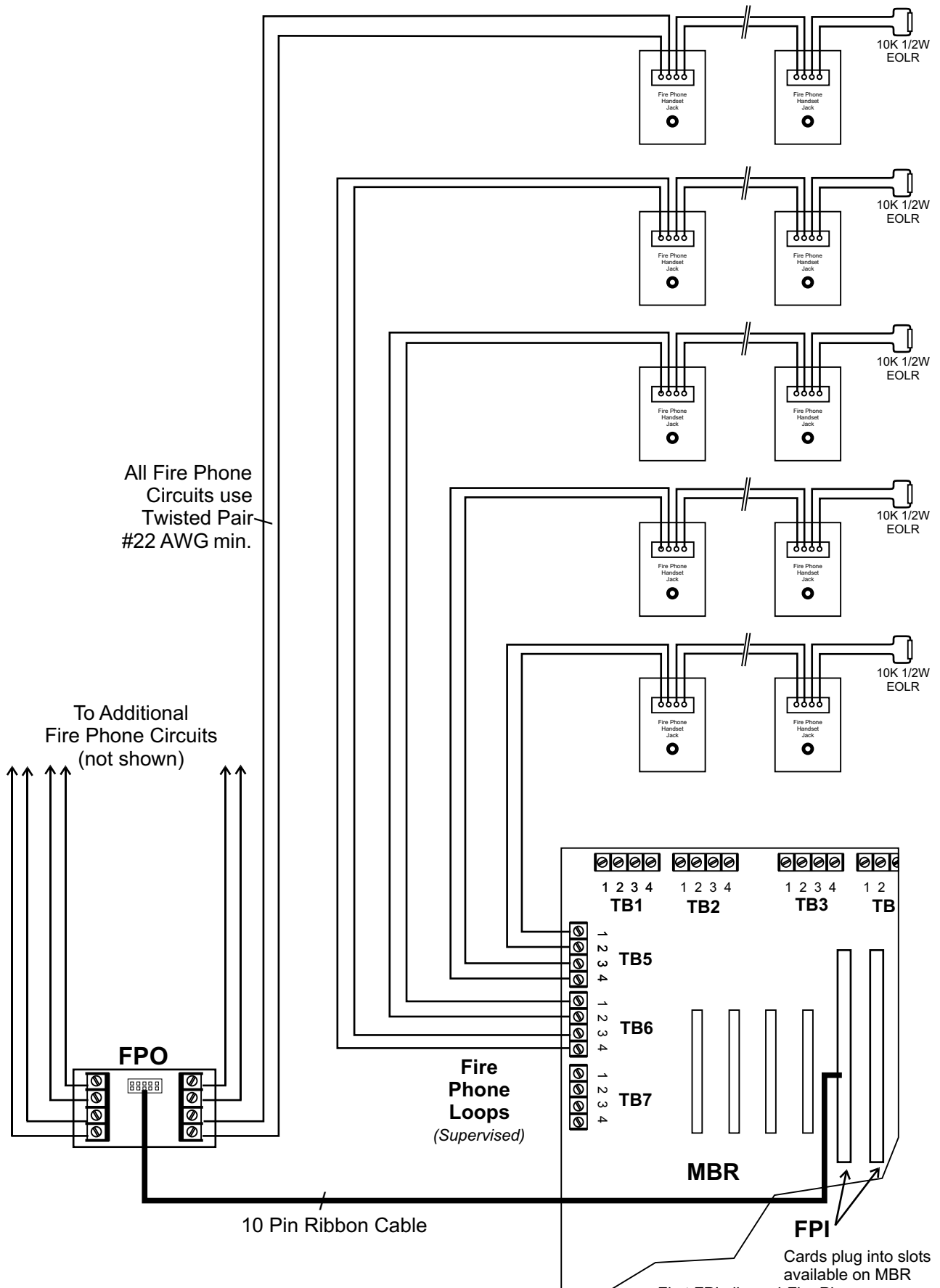


FNV-TC
(Shown with 6 FNV-FH)

FNV-FS
FNV-WS



LISTED



All Fire Phone Circuits use Twisted Pair #22 AWG min.

To Additional Fire Phone Circuits (not shown)

Fire Phone Loops (Supervised)

10 Pin Ribbon Cable

First FPI allows 4 Fire Phone Circuits off of MBR. Adding 2nd FPI and an FPO allows 4 additional Fire Phone Circuits (16 circuits max. in any FNV-DP)