

CONVENTIONAL HEAT DETECTORS



All conventional Heat Detectors are supported by a range of bases for different applications. A third terminal provides a remote indicator output and the range includes Fixed Temperature and Combined Fixed and Rate of Rise detectors:

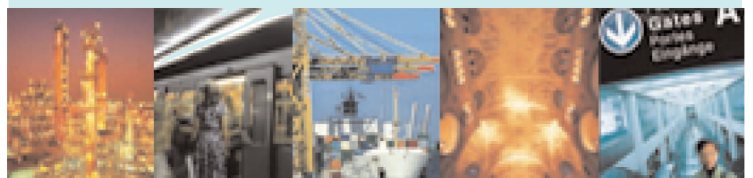
Model DCD-AE3 is a Rate of Rise Heat Detector with a 60°C fixed temperature element

Model DCD-CE3 is a Rate of Rise Heat Detector with a 90°C fixed temperature element

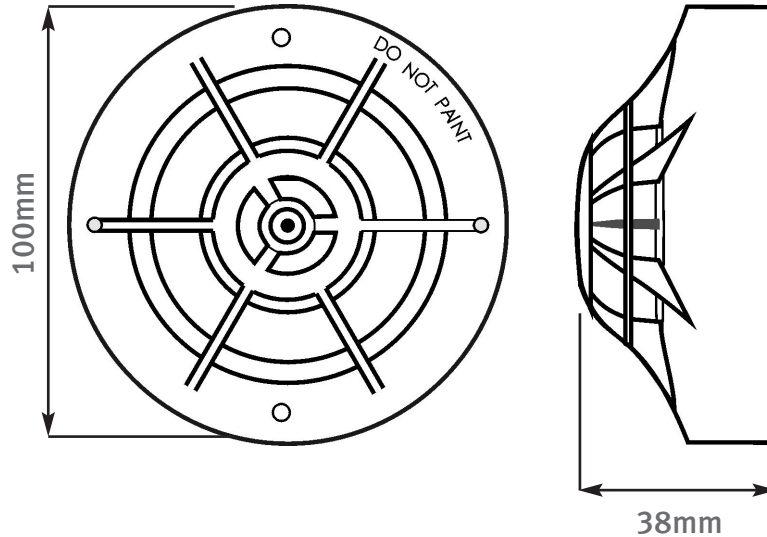
Model DFJ-AE3 is a 60°C Fixed Temperature Heat Detector

Model DFJ-CE3 is a 90°C Fixed Temperature Heat Detector

- ▶ Electronic linear heat detection
- ▶ Remote Indicator output
- ▶ Wide voltage range (9.5 ~ 30Vdc)
- ▶ Twin fire LED's allow 360° viewing
- ▶ Range of mounting bases
- ▶ LPCB & VdS Approved

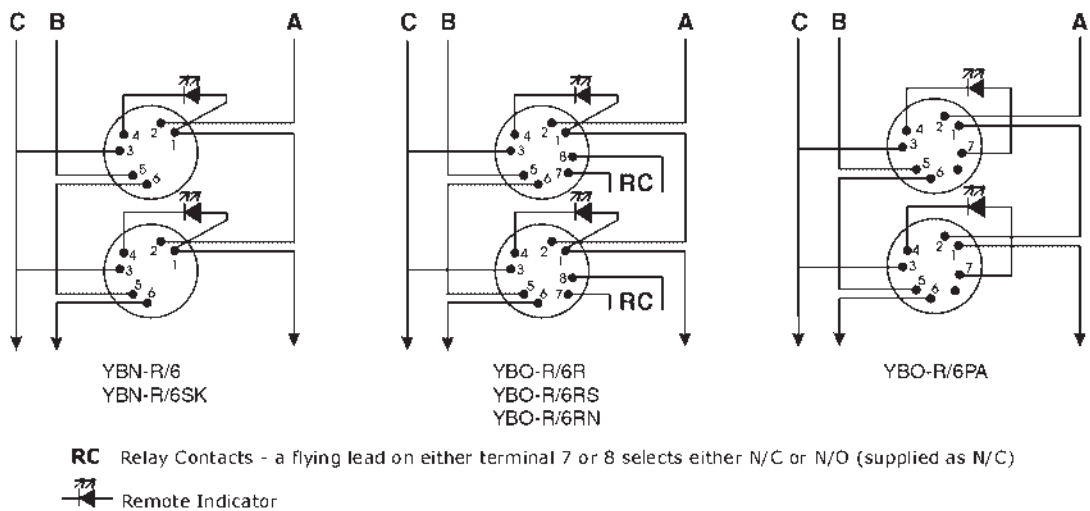


DIMENSIONS



WIRING

KEY:
 A Zone Wiring +ve
 B Zone Wiring -ve
 C Cable Screen



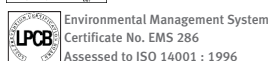
SPECIFICATIONS

Ordering Codes	DCD-AE3 (60°C) DCD-CE3 (90°C)	Ordering Codes	DFJ-AE3 (60°C) DFJ-CE3 (90°C)
Operating Voltage	9.5 - 30Vdc	Operating Voltage	9.5 - 30Vdc
Quiescent Current (typ)	35µA	Quiescent Current (typ)	35µA
Maximum Current in Alarm (typ)	40mA	Maximum Current in Alarm (typ)	40mA
Remote Indicator Drive	20mA (max) / 9.5-14mA (typ)	Remote Indicator Drive	20mA (max) / 9.5-14mA (typ)
Operating Temperature Range	-10°C to +50°C	Operating Temperature Range	-10°C to +50°C
Storage Temperature Range	-30°C to +70°C	Storage Temperature Range	-30°C to +70°C
Maximum Humidity	95%RH - Non Condensing (at 40°C)	Maximum Humidity	95%RH - Non Condensing (at 40°C)
Ingress Protection Rating	IP63	Ingress Protection Rating	IP63
Colour / Case Material	Ivory White / Polycarbonate	Colour / Case Material	Ivory White / Polycarbonate
Weight (g)	76	Weight (g)	76
Compatible Bases	YBN-R6 YBO-R/6R YBN-R/6SK YBO-R/6RS YBO-R/6RN YBO-R/6PA	Compatible Bases	YBN-R6 YBO-R/6R YBN-R/6SK YBO-R/6RS YBO-R/6RN YBO-R/6PA
Base Heights (mm)	8 13	Base Heights (mm)	8 13
Base Fixing Centres (mm)	48 ~ 74	Base Fixing Centres (mm)	48 ~ 74
Approvals	LPCB (EN54:2000) VdS (EN54:2000)	Approvals	LPCB (EN54:2000) VdS (EN54:2000)
	Class A1 & A1R (DCD-AE3) Class C & CR (DCD-CE3) Class A1 & A1R (DCD-AE3) (G204044) Class C & CR (DCD-CE3) (G204045)		Class A1 & A1S (DFJ-AE3) Class C & CS (DFJ-CE3) Class A1 & A1S (DFJ-AE3) (G204046) Class C & CS (DFJ-CE3) (G204047)

HOCHIKI EUROPE (UK) LIMITED
 Grosvenor Road, Gillingham Business Park,
 Gillingham, Kent, England ME8 0SA
 Telephone: +44 (0)1634 260133
 Facsimile: +44 (0)1634 260132
 e-mail (UK): sales@hochikieurope.com
 e-mail (Non UK): export@hochikieurope.com
 www.hochikieurope.com



Quality System
 Certificate No. 164
 Assessed to ISO9001



Environmental Management System
 Certificate No. EMS 286
 Assessed to ISO 14001 : 1996

Hochiki Europe (UK) Ltd. reserves the right to alter the specification of its products from time to time without notice. Although every effort has been made to ensure the accuracy of the information contained in this document it is not warranted or represented by Hochiki Europe (UK) Ltd. to be a complete and up-to-date description.

PART No. 9-5-0-242/ISS2/MAY05