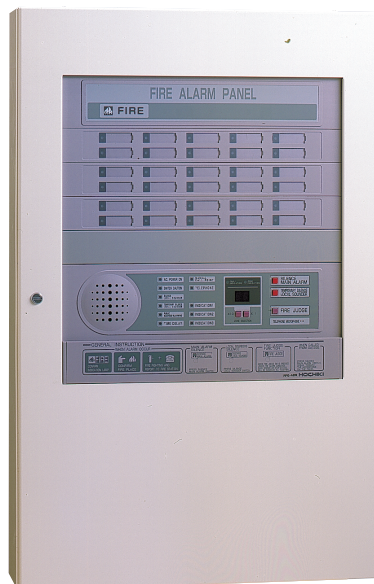


P1-Type Fire Alarm Control Panel (Time Delay) : RPQ-ABW

Features

1. Multi purpose zone configuration
 - Versatile zone configuration to suit various alarm need. (Zone 1 is preset and fixed for fire alarm only)
2. Light weight and compact in size
 - 550mm(W) X 850mm(H) X 130mm(D), Approximately 25Kg (RPQ40),
550mm(W) X 1100mm(H) X 160mm(D), Approximately 30Kg (RPQ50)
3. Easy installation
 - By means of 'Wire Insertion' terminals
 - Wide internal cabinet space of easy wiring
 - 180 degree wide panel door opening
4. Time delay function
 - Serves to minimize false fire alarm and improve the reliability of automatic fire alarm systems. By verifying whether fire-related signals are being received continuously over a certain period of time before activating the alarm and is able to dismiss many cases of potential false alarm.
 - The time delay function works when 9 seconds after the first fire signal is received, this product will reset the detector for 1 second. If a second fire signal is received within the next 40 seconds, it will then recognize it as an outbreak of fire and activate the fire alarm.
5. New functions
 - Improved lightning surge protection
 - Easy configuration of local bell and interlock release control, which can be monitored from the zone panel.
 - 'Hands-free' intercom communication at control panel
 - Voltage display for 'Stand by Battery' test
 - Zone open circuit monitored



HOCHIKI CORPORATION

SINGAPORE BRANCH OFFICE

629 Aljunied Road #03-16 Cititech Industrial Building
Singapore 389838
Tel : 65-6841-9728 Fax : 65-6841-9781
Email : hochiki@singnet.com.sg

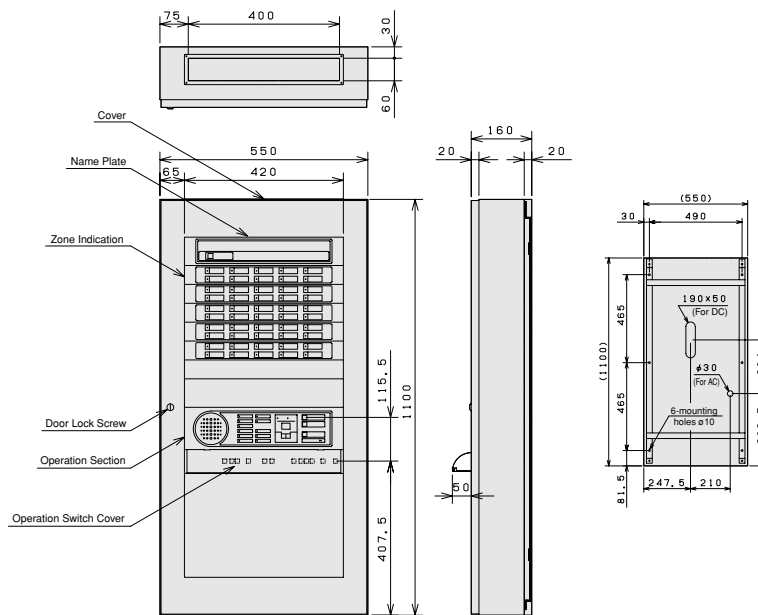
HEAD OFFICE

10-43 Kamiosaki 2-Chome. Shinagawa-Ku,
Tokyo 141-8660, Japan
Tel : 81-(3)-3444-4116 Fax : 81-(3)-3444-4167
URL : www.hochiki.co.jp

Specifications

	RPQ-ABW	
Type	P1-Type Fire Alarm Control Panel (with Time Delay Function)	
Model Name	RPQ-ABW□ (25,30,35,40,45,50) (JE)	
Mains	AC220V 50/60Hz	
Transformer Capacity	75VA	
Stand-by Battery	DC 24V, 0.6AH	
Battery Charger	Ni-Cd Battery Trickle Charger	
Main Sounder	Speaker (DC15V, 80mA)	
Operating Temperature Range	0°C – 40°C (no condensation)	
Material	Main set • door : Steel (thickness : 1.6mm, baking finish) Display • console panel : Self extinguishing resin (thickness : 2.5mm)	
Color	Main set • door : Munsell value : 2.5Y9/1 (semi-gloss) approximate color Display • console panel : Munsell value : 5Y6/0.5 approximate color	
Number of Zones	25,30,35,40,45 or 50 Zones	
Weight	Approx. 25Kg (RPQ40)	Approx. 30Kg (RPQ50)
Dimension	550mm(W) X 850mm(H) X 130mm(D)	550mm(W) X 1100mm(H) X 160mm(D)
Made	JAPAN	

RPQ-50



RPQ-40

