

PEX-□H INDICATION PANEL



PEX-10H



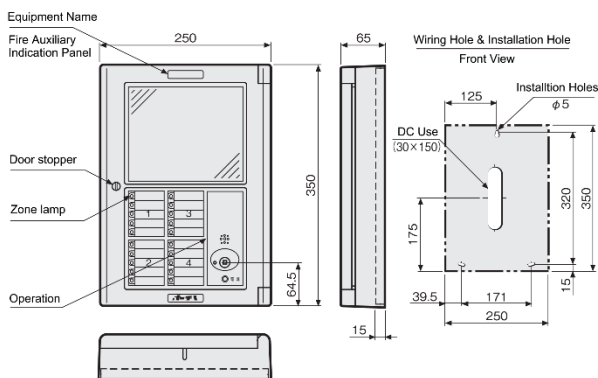
PEX-50H

*This picture shows PEX-10H and PEX-50H Japanese version

SPECIFICATIONS

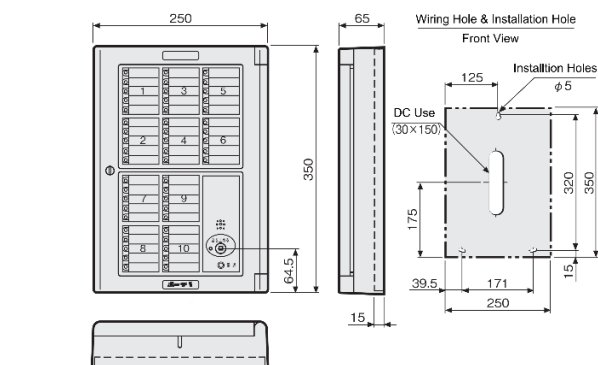
Type	Indication Panel
Model	PEX-□H
Operating Voltage	24Vdc
Operating Temp. Range	0°C to 40°C
Material	Self-Extinguishing Resin Thickness 3mm
Color	Light Gray
Dimension	(W)250 X (H)350 X (D)65 (mm)
Weight	Approx. 2kg
Country of Origin	Japan

DIMENSION



This drawing shows PEX-05H to 20H

Model	Number Of Zone	Number Of Indication Lamp
PEX-05H	5	5
PEX-10H	10	10
PEX-15H	15	15
PEX-20H	20	20
PEX-25H	25	25
PEX-30H	30	30
PEX-35H	35	35
PEX-40H	40	40
PEX-50H	50	50



This drawing shows PEX-25H to 50H

APPLICATION

Indication Panel are dedicated purpose transponders that support fire alarm system status information. Typical use is when the host fire alarm control panel is located away from the area where those responding to a fire situation need status information.

The authorized user can use fireman telephone (SC-PA) to communicate with FCP and allow callers to be connected to each other. Although intended for use in assisting fire responders, these system are also helpful during system setup and maintenance.

Specifications subject to change without notice