

EMB-6

Explosion-Proof Bell

Specification :

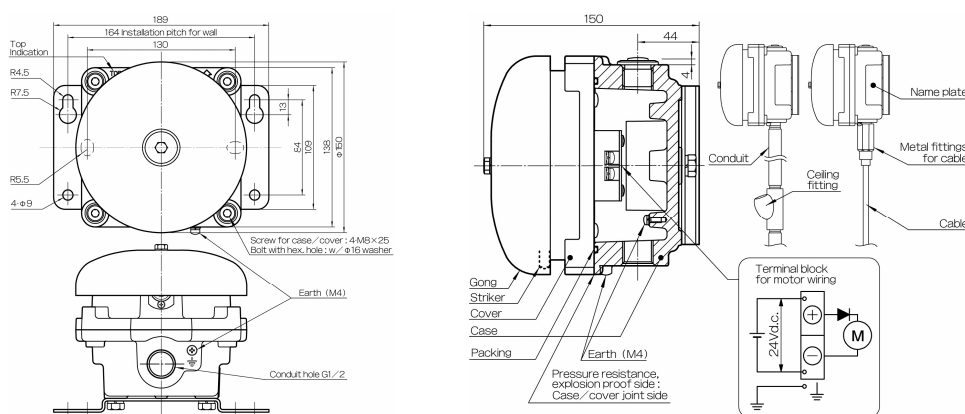
Construction : IP54
Explosion Proof Class : ExdIIBT4
Rating : DC24V 15mA
Sound Output : 92dB/m
Conduit : G1/2
Operating Temp. Range : -20 ~ +60°C
Weight : 3 Kgs.



Inspected by : Technology Institution of Industrial Safety (Approval No. 第 C15174 号)

Japan Fire Equipment Inspection Institute (Approval No. 鑑認音第 13 ~ 4 号)

- * This bell is pressure resist, explosion proof construction.
- * Don't use it in the air in which ignition point being under 135°C
- * Please ask its installation, operation, maintenance and inspection for the person who have appropriate knowledge and ability for handling each Explosion proof construction electric equipment and relative regulations.
- * Make sure to cut off the power supply during installation.
- * Don't bend, pull or stick power supply cable and lead wire forcefully.
- * Don't leave the name plate hidden with its installation.
- * Don't touch the terminal while the measurement of the insulation resistance is being done.
- * Make sure to connect an earth wire.



Outline Drawings : **KOBISHI** KOBISHI ELECTRIC CO., LTD.

1805-1, KAMIYA, KOUNOSU-SHI, SAITAMA, JAPAN

TEL : 81-485-43-4767 FAX : 81-485-43-4776

e-mail : overseas@kobishi.co.jp web site : www.kobishi.co.jp

Design and Specifications are subject to change without notice

