

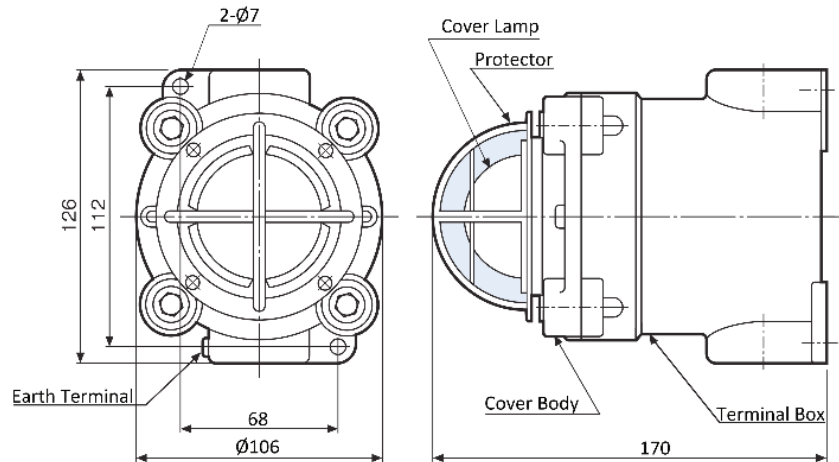
HOCHIKI

TPLD-R

Explosion proof indication lamp



Dimension (mm)



Specification

Type	Indication Lamp
Model	TPLD-R
Structure Explosion Proof Grade	Explosion Proof Type d2G5
Operating Voltage	5W @24V
Material Cover (Lamp) Protector Terminal Box Cover Body	Hard Glass (RED) SWP ADC12 AC7A-F
Color	Munsell 7.5BG5/2 (Protector: White)
Weight	Approx. 1.9kg
Country of Origin	Japan
Approval	TIIS No. 68775

HOCHIKI ASIA PACIFIC PTE. LTD.

82 Ubi Ave 4 #06-02
Edward Boustead Centre, Singapore 408832
TEL: 65-6841-9728 | FAX: 65-6841-9781
URL : www.hochikiasiapacific.com

HEAD OFFICE

10-43 Kamiosaki 2-Chome.
Shinagawa-Ku, Tokyo 141-8660 Japan
TEL: 81-(3)-3444-4116 | FAX: 81-(3)-3444-4167
URL : www.hochiki.co.jp