



# YBR-RL/1, YBR-RL/2

YBR Conventional common mounting LED base



YBR-RL/1



YBR-RL/2  
Suitable For Remote Lamp (CPP-H)

## Specification

Type	Surface Mount (Insert type)
Model	YBR-RL/1
	YBR-RL/2
Operating Temp. Voltage	-10°C to 50°C
Material	Self-Extinguishing Resin
Color	White or Ivory
Dimension	φ100 x 19mm
Weight	Approx. 40g
Mounting Bracket	None
Country of Origin	Japan
Suitable Detector Of JFEII	SLV, DSC, DFH

### HOCHIKI ASIA PACIFIC PTE. LTD.

82 Ubi Ave 4 #06-02  
Edward Boustead Centre, Singapore 408832  
TEL: 65-6841-9728 | FAX: 65-6841-9781  
URL : [www.hochikiasiapacific.com](http://www.hochikiasiapacific.com)

### HEAD OFFICE

10-43 Kamiosaki 2-Chome.  
Shinagawa-Ku, Tokyo 141-8660 Japan  
TEL: 81-(3)-3444-4116 | FAX: 81-(3)-3444-4167  
URL : [www.hochiki.co.jp](http://www.hochiki.co.jp)



# YBR-UL/1, YBR-UL/2

YBR Conventional common mounting LED base



YBR-UL/1

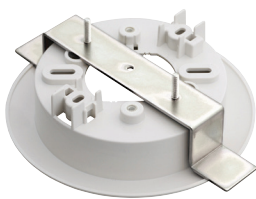


YBR-UL/2  
Suitable For Remote Lamp (CPP-H)

## Specification

Type	Flush Mount (Insert type)
Model	YBR-UL/1
	YBR-UL/2
Operating Temp. Voltage	-10°C to 50°C
Material	Self-Extinguishing Resin
Color	White or Ivory
Dimension	φ140 x 34mm
Weight	Approx. 100g
Mounting Bracket	YZQ-A, YZE-A
Country of Origin	Japan
Suitable Detector Of JFEII	SLV, DSC, DFH

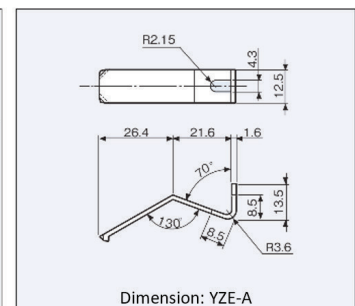
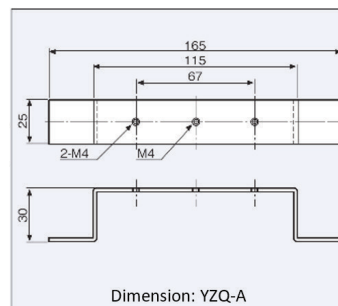
## Bracket



YZQ-A  
(Mounting Bracket)



YZE-A  
(Mounting Bracket)



### HOCHIKI ASIA PACIFIC PTE. LTD.

82 Ubi Ave 4 #06-02  
Edward Boustead Centre, Singapore 408832  
TEL: 65-6841-9728 | FAX: 65-6841-9781  
URL : [www.hochikiasiapacific.com](http://www.hochikiasiapacific.com)

### HEAD OFFICE

10-43 Kamiosaki 2-Chome.  
Shinagawa-Ku, Tokyo 141-8660 Japan  
TEL: 81-(3)-3444-4116 | FAX: 81-(3)-3444-4167  
URL : [www.hochiki.co.jp](http://www.hochiki.co.jp)