



# FFH-2E

Fixed temperature type heat detector- explosion proof

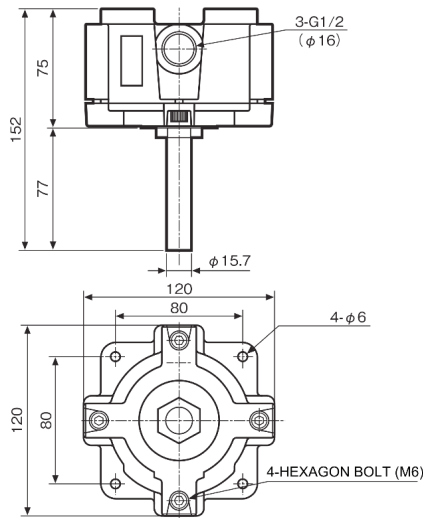
FFH-2E



FJB-1EP



## Dimension (mm)



Model	Normal Operating Temperature	Operating Temperature Range
FFH-2E060	60 °C	- 10°C~40 °C
FFH-2E070	70 °C	- 10°C~50 °C
FFH-2E080	80 °C	- 10°C~60 °C
FFH-2E090	90 °C	- 10°C~70 °C
FFH-2E0100	100 °C	- 10°C~80 °C
FFH-2E0120	120 °C	- 10°C~100 °C
FFH-2E0150	150 °C	- 10°C~130 °C

## Application

The FFH-2E is fixed temperature explosion proof heat detector, provide reliable fire detection in areas which are classified as hazardous. Especially, resisting pressure explosion-proof type fire detector is certified products by TIIS.

## Specification

Type	Fixed Temperature Type
Model	FFH-2E
Structure Explosion Proof grade	Explosion Proof Type d2G4
Material Cover. Box Sensor	Aluminum Alloy For Die Castings (Black alumite coating) SUS321
Alarm Current	100mA @30Vdc
Lead Wire Length	Approx. 200mm
Weight	Approx. 950g
Country of Origin	Japan
Approval	JFEII, TIIS No.58488
Accessory	FJB-1EP (Plug)
Made By	Fenwal Controls Of Japan, Ltd.

### HOCHIKI ASIA PACIFIC PTE. LTD.

82 Ubi Ave 4 #06-02  
Edward Boustead Centre, Singapore 408832  
TEL: 65-6841-9728 | FAX: 65-6841-9781  
URL : www.hochikiasiapacific.com

### HEAD OFFICE

10-43 Kamiosaki 2-Chome.  
Shinagawa-Ku, Tokyo 141-8660 Japan  
TEL: 81-(3)-3444-4116 | FAX: 81-(3)-3444-4167  
URL :www.hochiki.co.jp